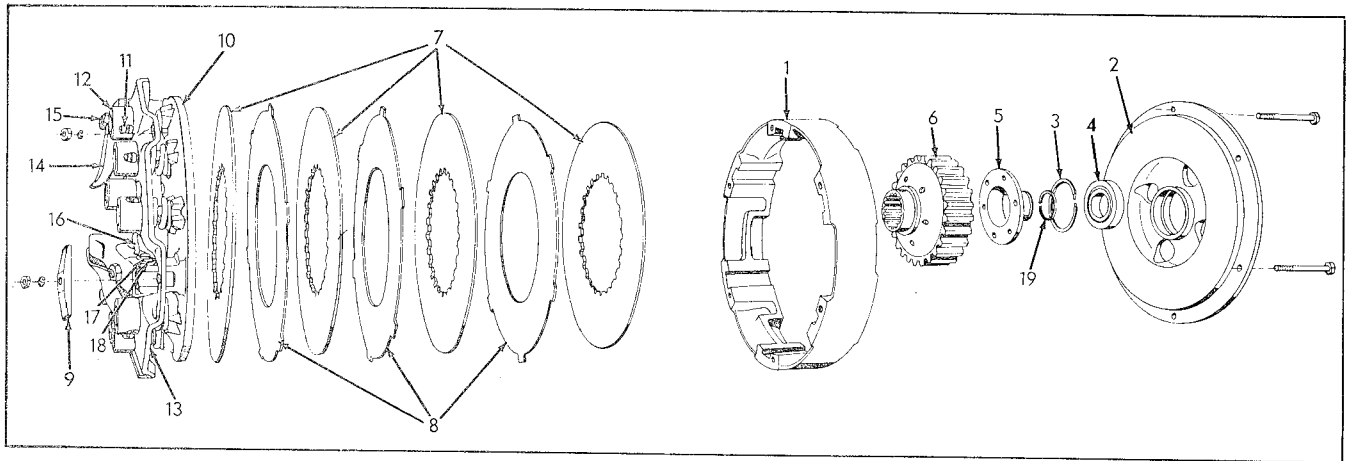


BRAKE PEDALS & STEERING CLUTCH LEVER

| ITEM | PART NUMBER | QTY. | DESCRIPTION             | ASSEMBLY OR PACKAGE NO. |
|------|-------------|------|-------------------------|-------------------------|
| 1    | 233825      | 1    | PEDAL, brake, L.H.      |                         |
|      | 233830      | 1    | PEDAL, brake, R.H.      |                         |
| 2    | 233831      | 2    | SHAFT, brake pedal      |                         |
|      |             |      | 1 919390                | WASHER                  |
|      |             |      | 1 900808                | PIN, cotter             |
| 3    | 233834      | 2    | ROD, brake              |                         |
|      |             |      | 1 917666                | YOKE, rod end           |
|      |             |      | 1 913177                | NUT, jam                |
|      |             |      | 1 917648                | PIN, yoke               |
|      |             |      | 2 900806                | PIN, cotter             |
|      |             |      | 2 912233                | WASHER, plain           |
| 4    | 233821      | 1    | SHAFT ASSY., L.H.       |                         |
|      | 233824      | 1    | SHAFT ASSY., R.H.       |                         |
| 5    | 234339      | 1    | LEVER, clutch hand L.H. |                         |
|      | 234340      | 1    | LEVER, clutch hand R.H. |                         |
| 5    |             |      | 1 905850                | KEY                     |
|      |             |      | 1 921525                | CAPSCREW                |
|      |             |      | 1 910507                | CAPSCREW                |
|      |             |      | 1 913744                | NUT, jam                |



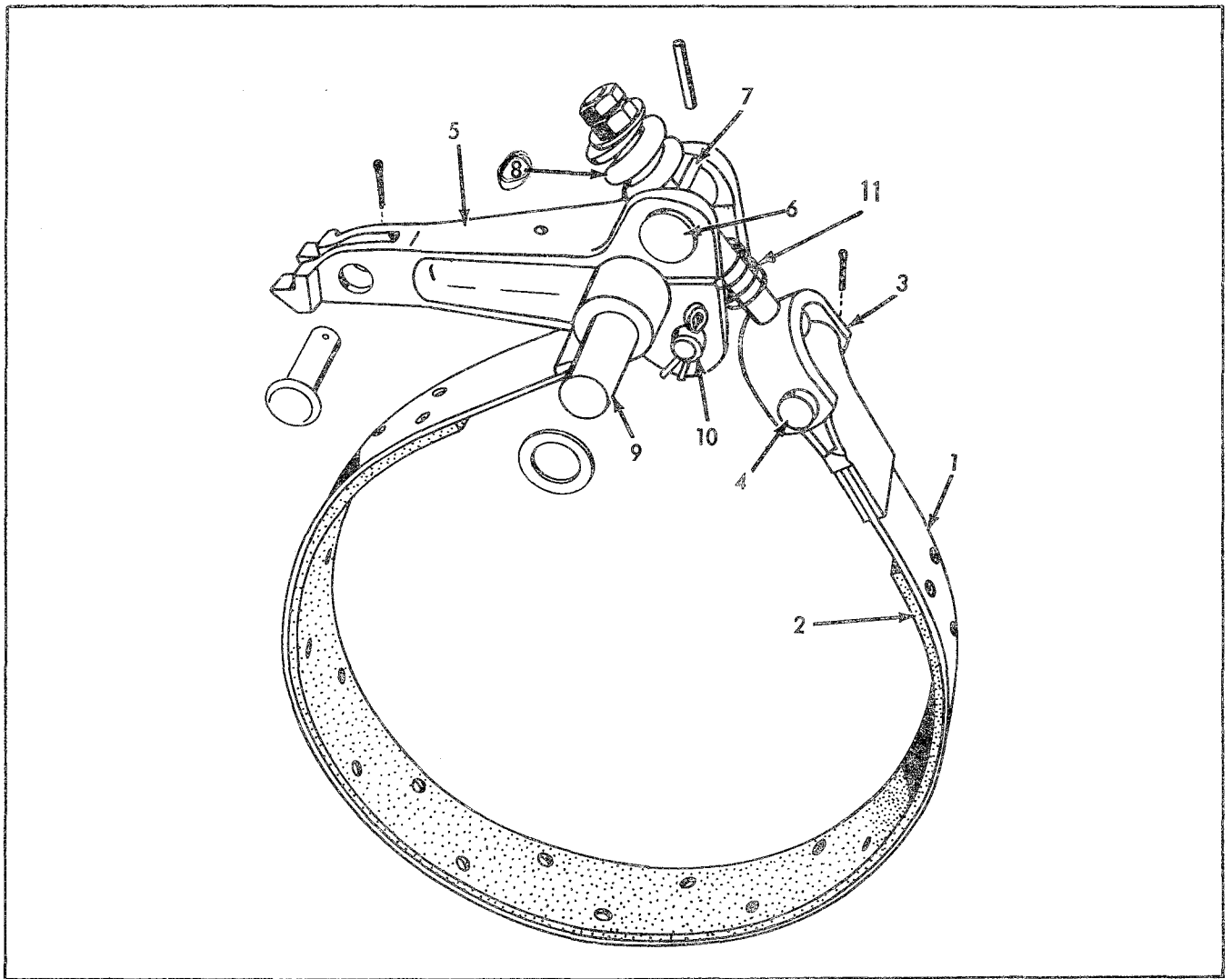
### STEERING CLUTCH

| ITEM | PART NUMBER | QTY.      | DESCRIPTION  | ASSEMBLY OR PACKAGE NO. |
|------|-------------|-----------|--|-------------------------|
| -    | 0254685-1   | 2         | CLUTCH ASSY., steering (Replaces 233879)                     |                         |
| 1    | 0252552-5   | 2         | DRUM, brake (Replaces 233880)                                |                         |
| 2    | 0252551-7   | 2         | FLYWHEEL, clutch (Replaces 233881)                           |                         |
|      | 3           | 0918062-1 | CAPSCREW (Replaces 921077)                                   |                         |
|      | 3           | 0926696-6 | NUT (Replaces 919441)  |                         |
| 3    | 233882      | 2         | RING, snap   |                         |
| 4    | 233883      | 2         | BEARING, pilot   |                         |
| 5    | 233884      | 2         | PILOT, bearing   |                         |
|      | 6           | 915813    | CAPSCREW   |                         |
|      | 6           | 904205    | LOCKWASHER   |                         |
| 6    | 233885      | 2         | HUB, driving, disc.  |                         |
| 7    | 233887      | 8         | DISC, driving  |                         |
|      | 1003719-0   | 8         | DISC, driving (Used w/233717)                                |                         |
| 8    | 233886      | 6         | DISC, driven   |                         |
| 9    | 0252546-7   | 6         | CLAMP, pressure plate (Replaces 233890)                      |                         |
|      | 3           | 0926153-8 | CAPSCREW (Replaces 921321)                                   |                         |
|      | 3           | 0926696-6 | NUT (Replaces 910323)  |                         |
| 10   | 230423      | 2         | PLATE, pressure  |                         |
|      | 233888      | 2         | PLATE ASSY., pressure (Incl. items 11 thru 18 & SEAT & CLIP) |                         |
| 11   | 233889      | 18        | SPRING, pressure   |                         |
| 12   | 234073      | 18        | CUP, spring  |                         |
| 13   | 230428      | 2         | PLATE ASSY., back (Incl. SEAT)                               |                         |
| 14   | 230380      | 6         | LEVER, release   |                         |

Continued

STEERING CLUTCH (Cont'd)

| ITEM | PART NUMBER | QTY. | DESCRIPTION                        | ASSEMBLY OR PACKAGE NO. |
|------|-------------|------|------------------------------------|-------------------------|
| 15   | 229601      | 6    | SCREW, adjusting<br>3 910876 NUT   |                         |
| 16   | 230361      | 6    | SPRING, lever                      |                         |
| 17   | 229603      | 6    | PIN, lever<br>3 900802 PIN, cotter |                         |
| 18   | 229814      | 6    | WASHER, spring                     |                         |
| 19   | 229285      | 2    | RING, snap pilot bearing           |                         |



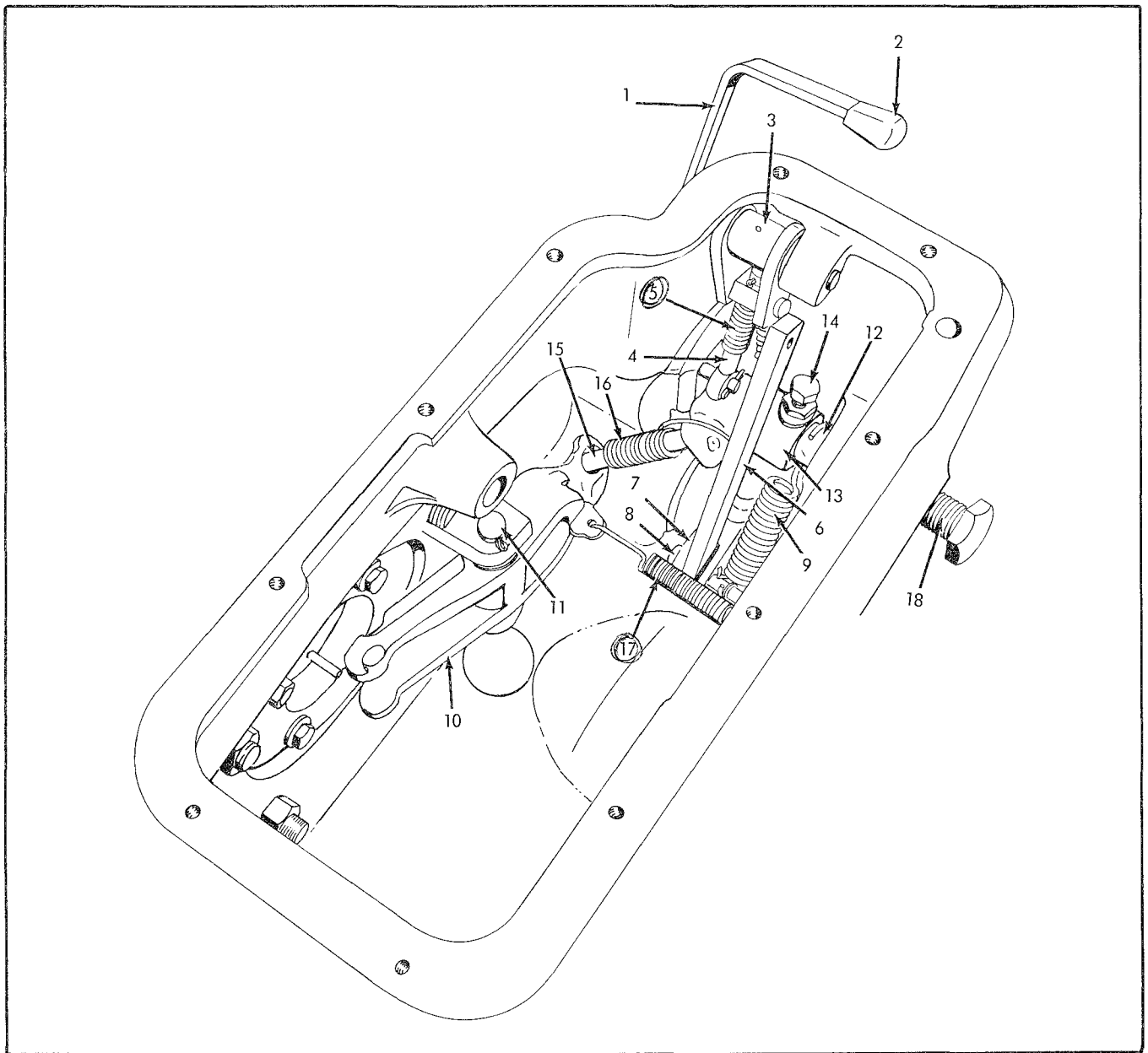
BRAKE BAND & ARM

| ITEM | PART NUMBER | QTY. | DESCRIPTION   | ASSEMBLY OR PACKAGE NO. |
|------|-------------|------|---|-------------------------|
| 1    | 1003881-8   | 2    | BAND ASSY., brake (Incl. Item 2) (Replaces 240876)                              |                         |
| 2    | 0240877-1   | 2    | LINING, brake . . . . .   | 240878                  |
| 3    | 233807      | 2    | YOKE ASSY. (Incl. BOLT)<br>1 913744 NUT, jam<br>1 916951 NUT<br>1 917379 WASHER |                         |
| 4    | 233810      | 2    | PIN, yoke<br>1 900938 PIN, cotter   |                         |
| 5    | 233811      | 2    | ARM, brake<br>1 921373 PIN, link<br>1 900938 PIN, cotter                        |                         |
| 6    | 233812      | 2    | PIN, yoke, brake arm  |                         |
| 7    | 233813      | 2    | PLATE, lock   |                         |
| 8    | 233814      | 2    | SPRING  |                         |

Continued

## BRAKE BAND &amp; ARM (Cont'd.)

| ITEM | PAF<br>NUMBER | QTY. | DESCRIPTION            | ASSEMBLY OR<br>PACKAGE NO. |
|------|---------------|------|------------------------|----------------------------|
| 9    | 233815        | 2    | SHAFT, brake anchor    |                            |
|      |               |      | 3 915714 WASHER, plain |                            |
|      |               |      | 1 916937 PIN, roll     |                            |
| 10   | 233816        | 2    | PIN, brake arm         |                            |
|      |               |      | 1 900938 PIN, cotter   |                            |
|      | 1003885-9     | 2    | SPRING                 |                            |



BRAKE LINKAGE & CLUTCH SHIFTER

| ITEM | PART NUMBER | QTY. | DESCRIPTION                    | ASSEMBLY OR PACKAGE NO. |
|------|-------------|------|--------------------------------|-------------------------|
| 1    | 233844      | 1    | LEVER ASSY., brake latch, L.H. |                         |
|      | 233847      | 1    | LEVER ASSY., brake latch, R.H. |                         |
| 2    | 229816      | 2    | KNOB, lever brake latch        |                         |
| 3    | 233843      | 1    | LATCH ASSY., brake, R.H.       |                         |
|      | 233838      | 1    | LATCH ASSY., brake, L.H.       |                         |
|      |             | 1    | 916936 PIN, roll               |                         |

Continued

BRAKE LINKAGE & CLUTCH SHIFTER (Cont'd.)

| ITEM | PART NUMBER | QTY. | DESCRIPTION   | ASSEMBLY OR PACKAGE NO. |
|------|-------------|------|---|-------------------------|
| 4    | 233836      | 2    | ROD, end  |                         |
|      |             |      | 1 921894 PIN, pivot                                 |                         |
|      |             |      | 1 900806 PIN, cotter                                |                         |
|      |             |      | 1 918794 WASHER, plain                              |                         |
|      |             |      | 1 904001 PIN, cotter                                |                         |
| 5    | 233837      | 2    | SPRING, rod end                                     |                         |
| 6    | 233817      | 2    | LINK  |                         |
|      |             |      | 1 921373 PIN, link                                  |                         |
|      |             |      | 1 900938 PIN, cotter                                |                         |
| 7    | 233818      | 2    | LEVER, brake link                                   |                         |
|      |             |      | 1 904208 LOCKWASHER                                 |                         |
|      |             |      | 1 904541 CAPSCREW                                   |                         |
| 8    | 233819      | 2    | PIN, brake lever                                    |                         |
|      |             |      | 2 900938 PIN, cotter                                |                         |
|      |             |      | 1 912007 WASHER, plain                              |                         |
| 9    | 240356      | 2    | SPRING, brake return (Supersedes 233820 and 236855) |                         |
| 10   | 0236882-7   | 1    | FORK, clutch, R. H. (Replaces 233895)               |                         |
|      | 0236881-9   | 1    | FORK, clutch, L. H. (Replaces 233894)               |                         |
| 11   | 233896      | 2    | PIN, pivot clutch fork                              |                         |
|      |             |      | 1 900808 PIN, cotter                                |                         |
| 12   | 233897      | 2    | SHAFT, hand lever                                   |                         |
|      |             |      | 1 905125 KEY, woodruff                              |                         |
| 13   | 0236877-7   | 1    | LEVER, fork, L. H. (Replaces 233898)                |                         |
|      | 0236878-5   | 1    | LEVER, fork, R. H. (Replaces 233899)                |                         |
| 14   | 235403      | 2    | SETSCREW, fork lever                                |                         |
|      |             |      | 1 921893 NUT, jam                                   |                         |
| 15   | 233900      | 2    | STILT, shifter clutch                               |                         |
| 16   | 233901      | 2    | SPRING, stilt                                       |                         |
| 17   | 233902      | 2    | SPRING, fork return                                 |                         |
| 18   | 233907      | 2    | SCREW, adjusting                                    |                         |
|      |             |      | 1 910098 NUT, jam                                   |                         |